



Monkey Tower™

Scaffolding in 5 Minutes

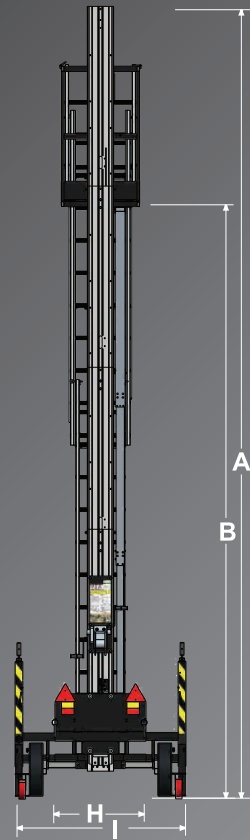
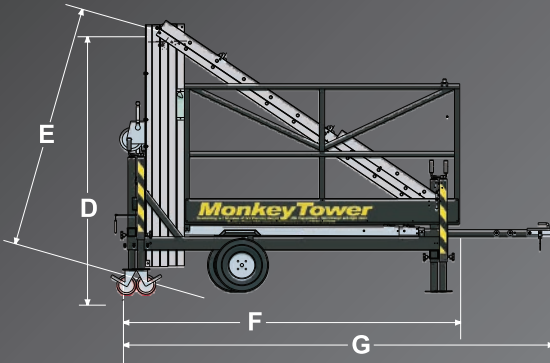


Loads

Weight	380kg
Safe Working Load	250kg
Lifting Capacity	75kg

Dimensions

A	Height - Max Working	6.5m
B	Height - Max Platform	4.5m
C	Height - Min Platform	1.0m
D	Height - Transport	2.1m
E	Height - Minimum	1.9m
F	Length - Minimum	2.6m
G	Length - Towing	3.4m
H	Width - Minimum	0.7m
I	Width - Maximum	1.3m
J	Width - Towing	1.1m



Monkey Tower Ltd, North Wing Offices
 Ingatestone Hall, Ingatestone, Essex CM4 9NS
 01277 356172 sales@monkeytower.co.uk

www.MonkeyTower.co.uk

01277 356172



Easy to Use

- Set-up by one person within 5 minutes of arriving at site
- Platform simply winds into position - no batteries or hydraulics to maintain
- Lifts 75kgs of tools and equipment - no hoists needed
- Maximum working height of 6.5m (21ft)
- Latches every 25cm (10") to maximum height
- No need for PASMA or IPAF qualifications

Safe to Use

- Erected entirely from ground level
- Toeboards and handrails are permanently fixed in place and cannot be forgotten
- Safety latches automatically lock the platform into position
- CE marked and designed and tested to BS:EN 1004:2004



Easy Access to Site

- Towed behind any tobar equipped car or van
- 380kg weight and large road wheels make it a simple one man job to move by hand, even over rough surfaces
- Minimum width of just 700mm lets the Monkey Tower fit through a single 2'6" doorway or gate
- Wind down legs- level, even on rough ground

Single Person Operation

- A single person can erect and take down the Monkey Tower on their own - save on labour costs
- 250kg Safe Working Load allows two people to work from the platform

**Video of Monkey Tower and more informaion
available at www.monkeytower.co.uk**